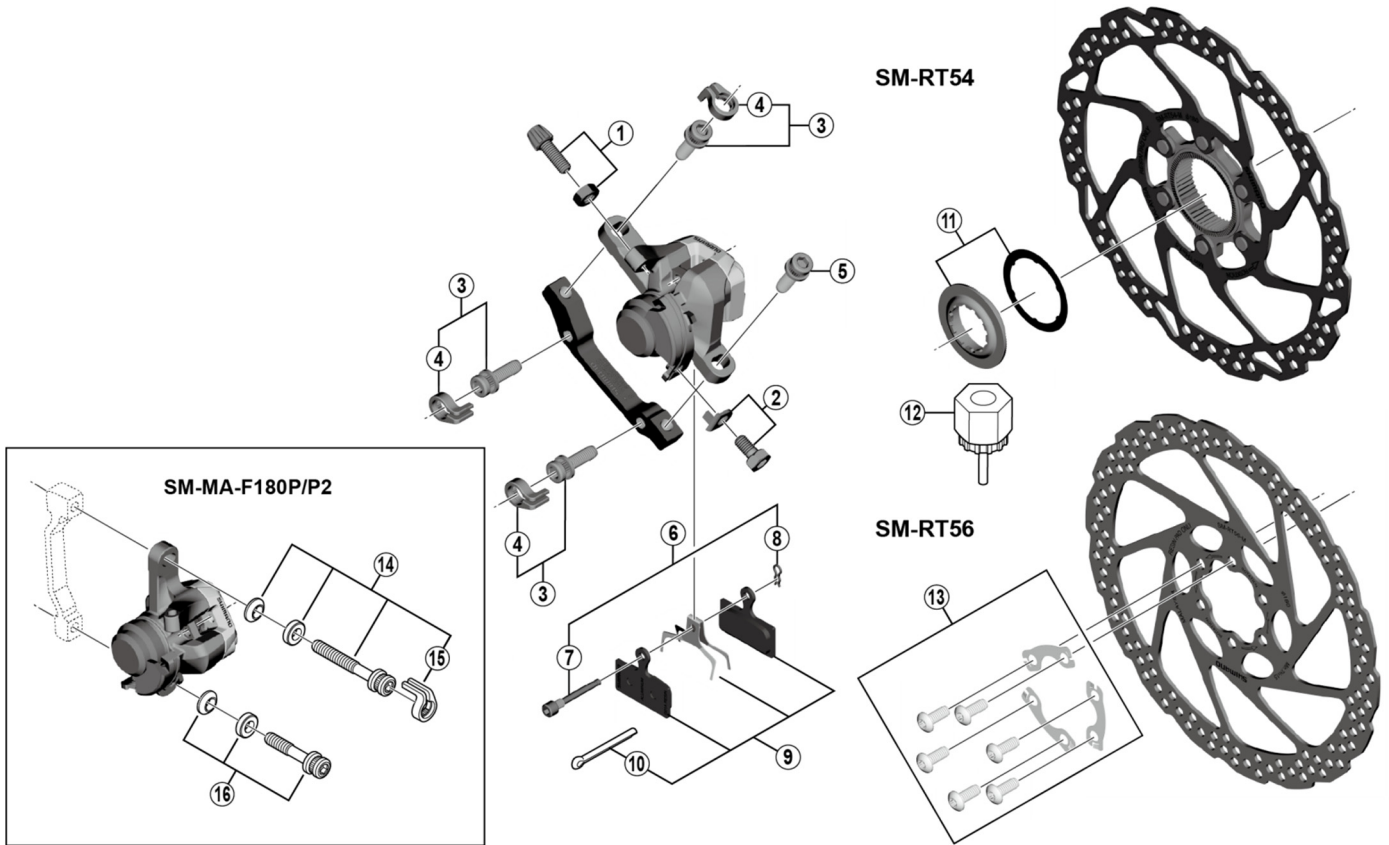


Disc Brake  
**BR-R317** Brake Caliper

**SM-RT54** Disc Rotor/Center Lock  
**SM-RT56** Disc Rotor/6-Bolt



ITEM NO.	SHIMANO CODE NO.	DESCRIPTION	INTERCHANGEABILITY	
			BR-R517	BR-M375
1	Y8JW98010	Cable adjusting bolt and nut		A
2	Y8LH98010	Cable fixing screw (M6 x 10.8) and plate		
3	Y2F398020	Caliper fixing screw (M6 x 18.7) and snap ring	A	A
4	Y2RT06000	Snap ring	A	A
5	Y8C509020	Caliper fixing screw (M6 x 18.7)	A	A
6	Y8KZ98020	Pad axle and snap retainer	A	
7	Y8EB12000	Pad axle	A	
8	Y8B212000	Snap retainer	A	
*	EBPG05SRXA	G05S-RX Resin pad and spring with split pin (pair)		
	Y2S398010			
*	EBPG05SRXBS	G05S-RX Resin pad and spring with split pin (25 pairs)		
	Y2S398011			
10	Y8DB06100	Split pin	A	
11	Y8KU98010	Lock ring (black) and washer		
12	Y12009230	TL-LR15 Lock ring removal tool	A	A
13	Y8KT98010	Rotor fixing screw and lock washer		
14	Y2RT98020	Caliper fixing screw unit (M6 x 37.9)	A	
15	Y2RT07000	Snap ring	A	
16	Y8G498030	Caliper fixing screw unit (M6 x 32.1)	A	

A: Same parts.

B: Parts are usable, but differ in materials, appearance, finish, size, etc.

Absence of mark indicates non-interchangeability.

Specifications are subject to change without notice.

Jul.-2022-3646C

© Shimano Inc. I

**SHIMANO**